

Programmes After Market Services NHM-2/5nx,ny/6/9 Series Transceivers

Service Tools

Table of Contents

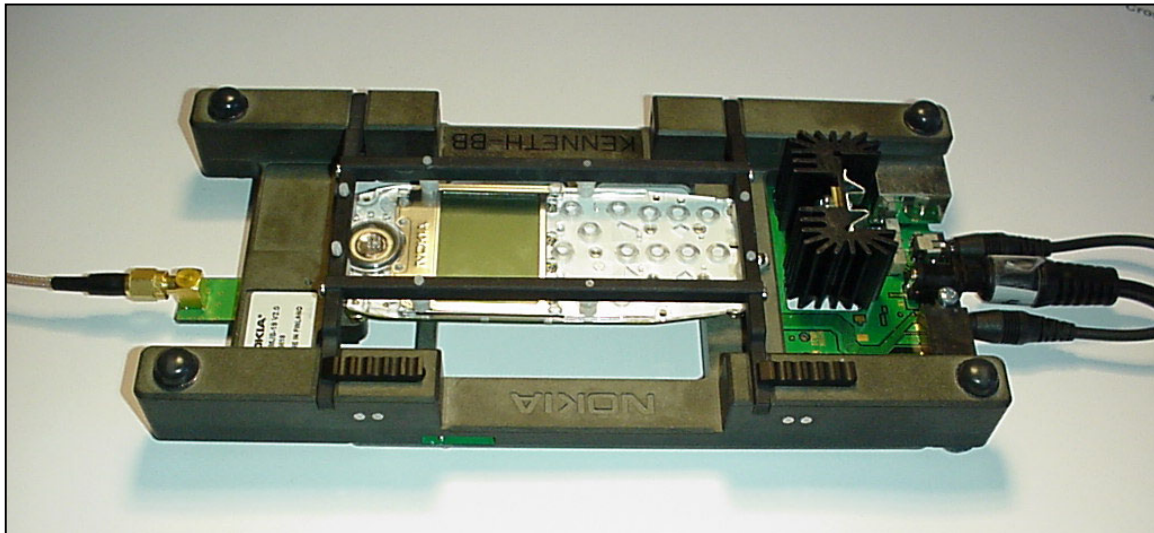
	Page No
Test Rig MJS 19.....	3
Service Battery BBS-8	4
POS Flash Adapter FLP-2.....	5
RF Antenna Adapter AAS-6	6
Flash Loading Adapter FLA-5 (Sales Pack)	7
Flash Prommer FPS-4S (Sales Pack)	8
Security Box TDF-4	9
Service Cable SCH-5.....	10
D15-D15 Cable AXS-5.....	11
DC Cable PCC-1B.....	12
DC Cable SCB-3	13
Power Cable PCS-1	14
POS Flash Adapter FLS-2D (Sales Pack).....	15
XMS-3 Service Cable	16
MBUS Cable DAU-9S	17
SW Security Device PKD-1	18

Test Rig MJS 19

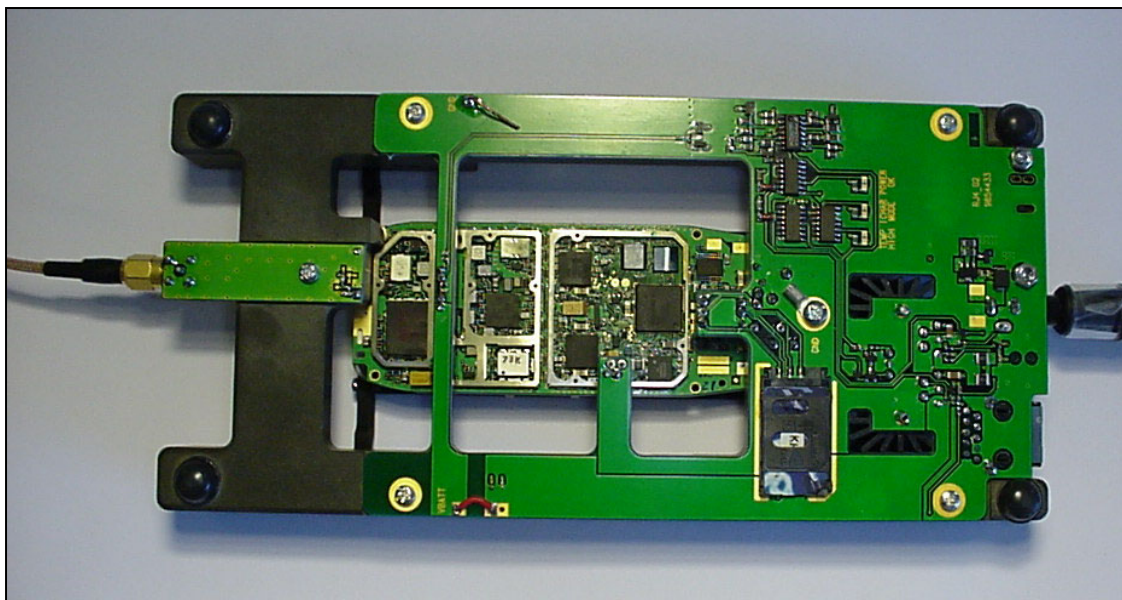
Product Code:

Test Rig MJS-19: 0630260

Front View



Rear View



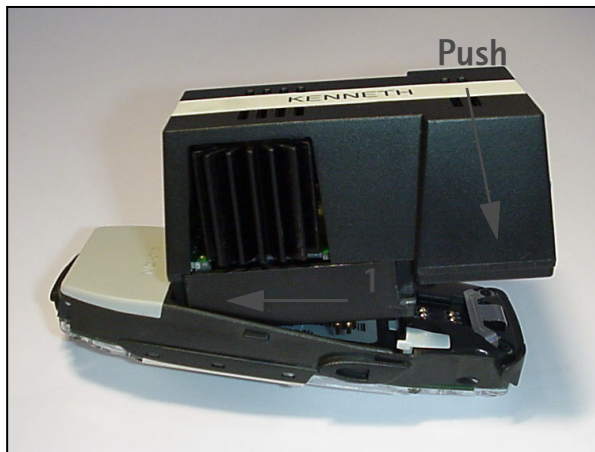
Service Battery BBS-8

Product Code:

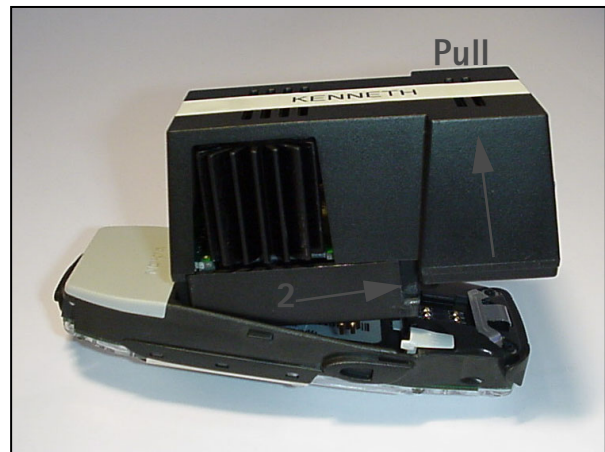
Service Battery BBS-8: 0630261



Insert



Remove



POS Flash Adapter FLP-2

Product Code:

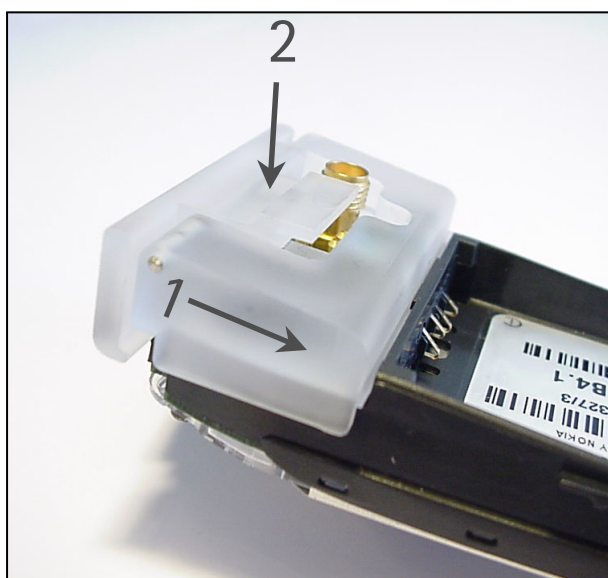
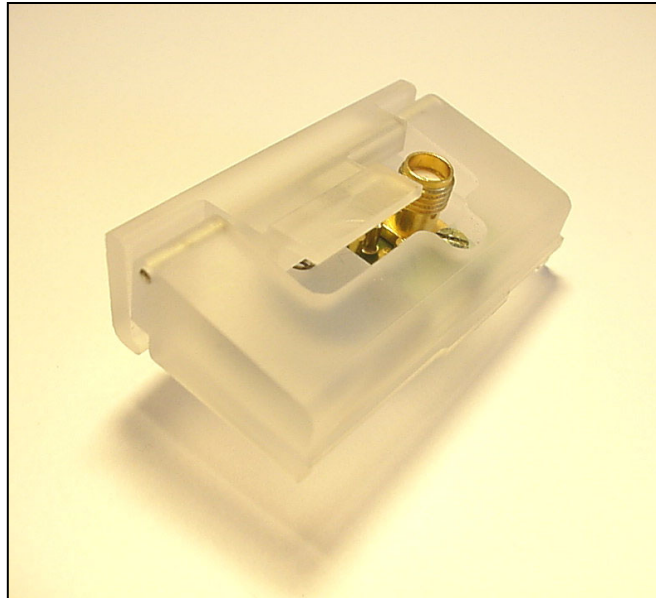
POS Flash Adapter FLP-2: 0630262



RF Antenna Adapter AAS-6

Product Code:

RF Antenna Adapter AAs-6: 0630280



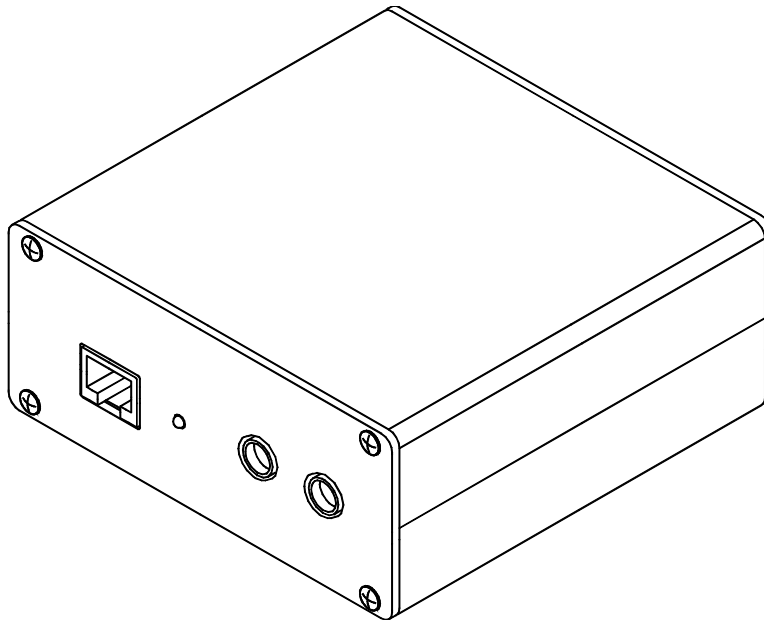
Fitting the Adapter

Flash Loading Adapter FLA-5 (Sales Pack)

The Flash Loading Adapter FLA-5 is used with the Service Battery BBD-3 and Service Cable SCH-5. Power is supplied to FLA-5 from the Flash Security Box TDF-4 via the DC cable PCC-1B, (The PCC-1B cable can be replaced with a Travel Charger ACH-6), and is connected to the Flash Prommer FPS-4S with the cable AXS-5.

Product Code

Flash Loading Adapter FLA-5: 0080178



The sales pack includes:

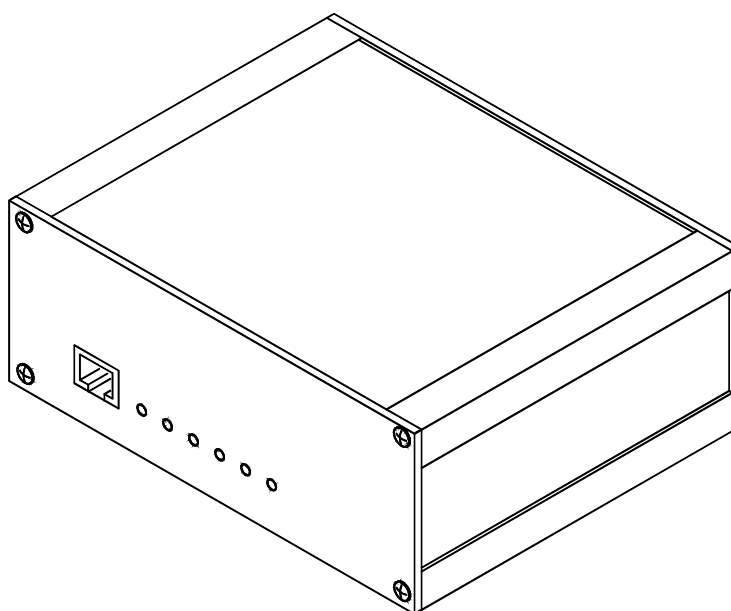
Sales Package	Type Designation of parts	NMP Code
FLA-5		
	Flash Loading Adapter FLA-5	0770085
	Service Cable SCH-5	0730098
	Printer Cable AXS-5	0730091
	SW diskette	8400041

Flash Prommer FPS-4S (Sales Pack)

The Flash Prommer FPS-4S is used to update the main software of the phone. Updating is done by first loading the new MCU software from the PC to the flash prommer, and then loading the new SW from the prommer to the phone. When updating more than one phone in succession, the MCU software only needs to be loaded to the prommer once.

Product Code

Flash Prommer FPS-4S: 0085095



The sales pack includes:

Sales Package	Type Designation of parts	NMP Code
FPS-4S		0085095
	Flash Prommer FPS-4	0750090
	Charger ACL-3E	0680015
	Printer Cable	0730029
	D9 - D9 Cable AXS-4	0730090
	SW diskette	8400041

Security Box TDF-4

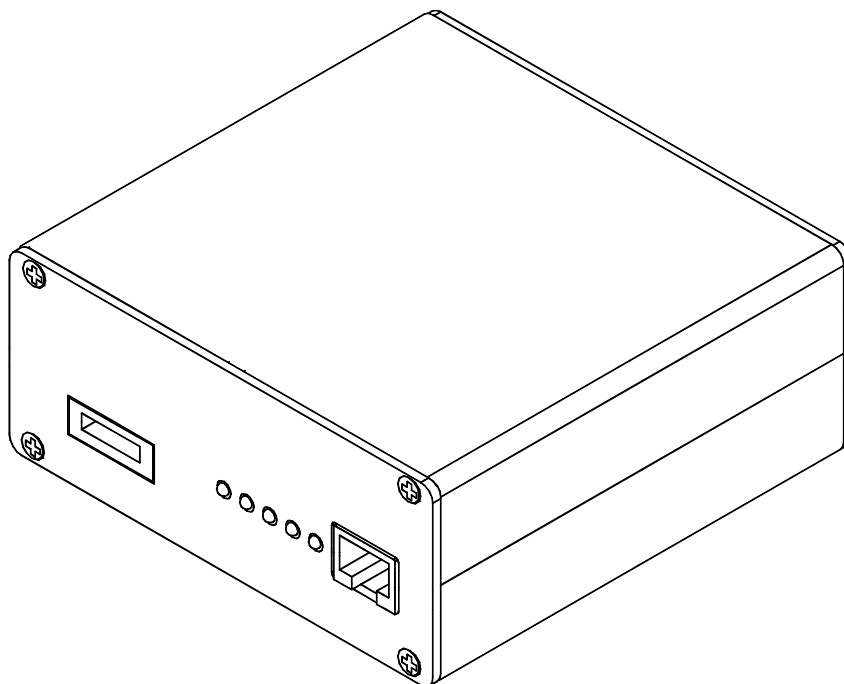
The Security Box TDF-4 is required for updating MCU software, and infra red testing.

Note1:TDF-4 is delivered in de-activated mode. Fill in the enclosed Activation Request Form, and fax to NMP Salo to get the activation code

Note2:The infra red module JLP-1 is not included in the TDF-4 sales package

Product Cod

Security Box TDF-4: 0770106

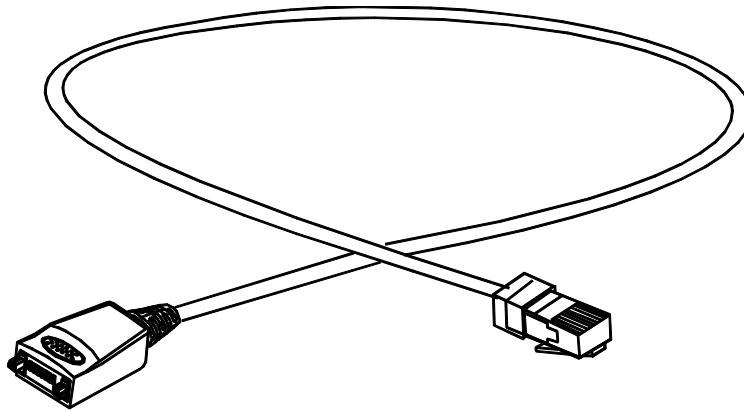


Service Cable SCH-5

The Service Cable SCH-5 is used between the phone and Service Audio Box JBA-4 (or modular T-adapter). It is also used between the phone and the Flash Loading Adapter FLA-5.

Product Code

Service Cable SCH-5: 0730098

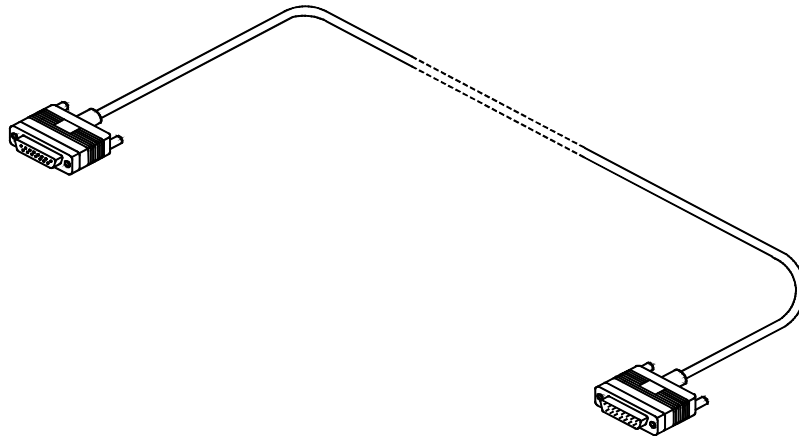


D15-D15 Cable AXS-5

The D15-D15 Cable AXS-5 is used to connect two 15 pin D connectors. e.g. between FLA-5 and FPS-4S.

Product Code

D15-D15 Cable AXS-5: 0730091

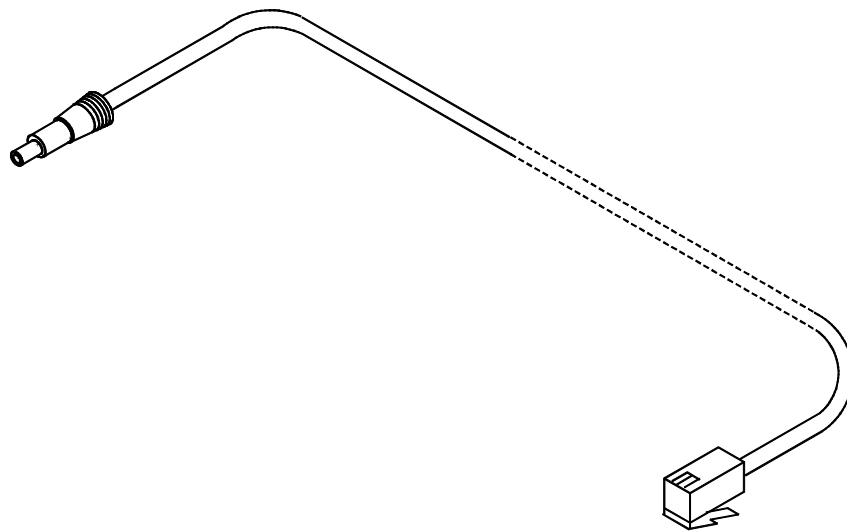


DC Cable PCC-1B

The DC Cable PCC-1B is used e.g. to connect FLA-5 and TDF-4.

Product Code

DC Cable PCC-1B: 0770053

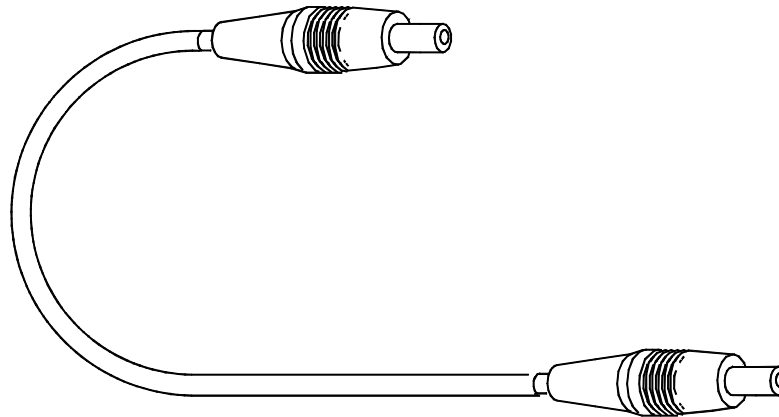


DC Cable SCB-3

The DC Cable SCB-3 is used to connect the Service Battery to the charger connection Vin of the phone when doing the charger calibration service procedure.

Product Code

DC Cable SCB-3: 0730114

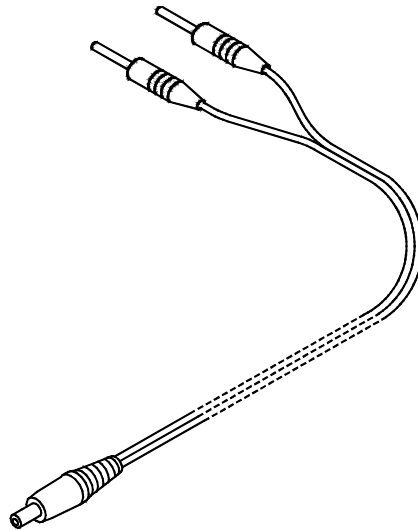


Power Cable PCS-1

The Power Cable PCS-1 is used to connect the module jigs JBT-1 and JBS-19 to an external power supply.

Product Code

Power Cable PCS-1: 0730012



POS Flash Adapter FLS-2D (Sales Pack)

:

Sale package code

0081310 (APAC)

0081311 (EU/AFR)

The sales packs include:

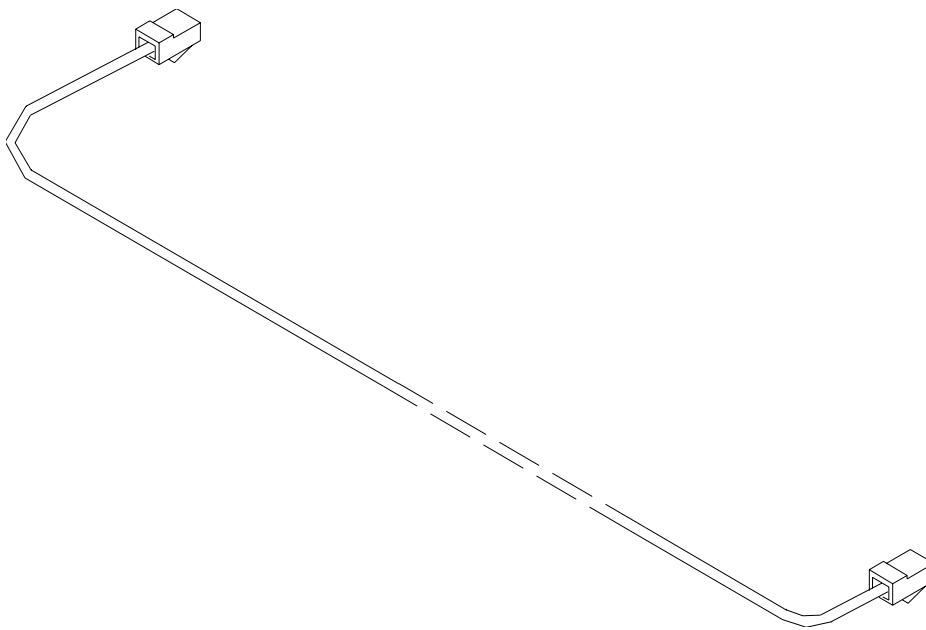
Sales Package	Item	NMP Code
0081310	FLS-2D FLASH DEVICE (APAC)	0774169
	FLS-X INSTALL GUIDE UG	0275405
	AXS-4U SERVICE CABLE	0730163
	SWSA1 DONGLE DRV32 3.5" DISK	0770176
	SWSA1 DONGLE DRV16 3.5" DISK	0770177
	SWSA1 FLE-5 DRV16/32 3.5" DISK	0774120
	SWSA1 FLS1 REM UPD 3.5" DSK	0774123
	BLANK STICKER	9380113
	MASTER CARTON	9651563
	FLS-X REGISTRATION REQUEST FORM	0275404

Sales Package	Item	NMP Code
0081311	FLS-2D FLASH DEVICE (EU/AFR)	0774170
	FLS-X INSTALL GUIDE UG	0275405
	AXS-4U SERVICE CABLE	0730163
	FLS-2D CDROM	0774181
	BLANK STICKER	9380113
	MASTER CARTON	9651563
	FLS-X REGISTRATION REQUEST FORM	0275404

XMS-3 Service Cable

Product Code

XMS-3 Cable: 0730174

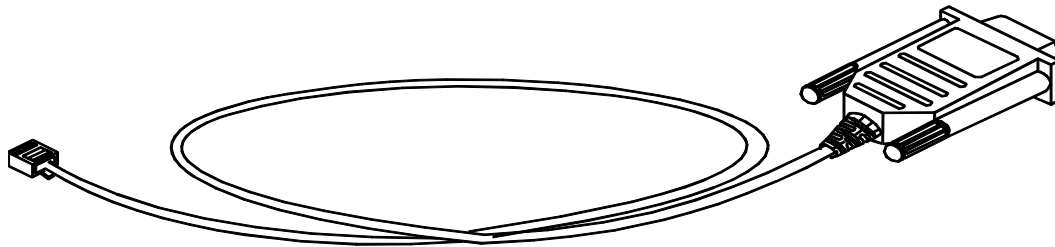


MBUS Cable DAU-9S

The MBUS Cable DAU-9S has a modular connector, and is used with the service Audio Box JBA-4, or a modular T-adapter.

Product Code

MBUS Cable DAU-9S: 0730108



SW Security Device PKD-1

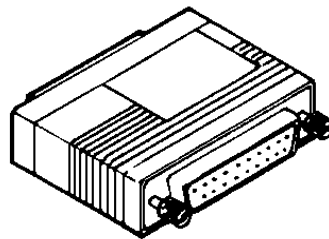
SW security device is a piece of hardware enabling the use of the service software when connected to the parallel (LPT) port of the PC. Without the dongle present it is not possible to use the service software. Printer or any such device can be connected to the PC through the dongle if needed.

Caution: Make sure that you have switched off the PC and the printer before making connections!

Caution: Do not connect the PKD-1 to the serial port. You may damage your PKD-1!

Product Code

SW Security Device PKD-1: 0750018



G0750018